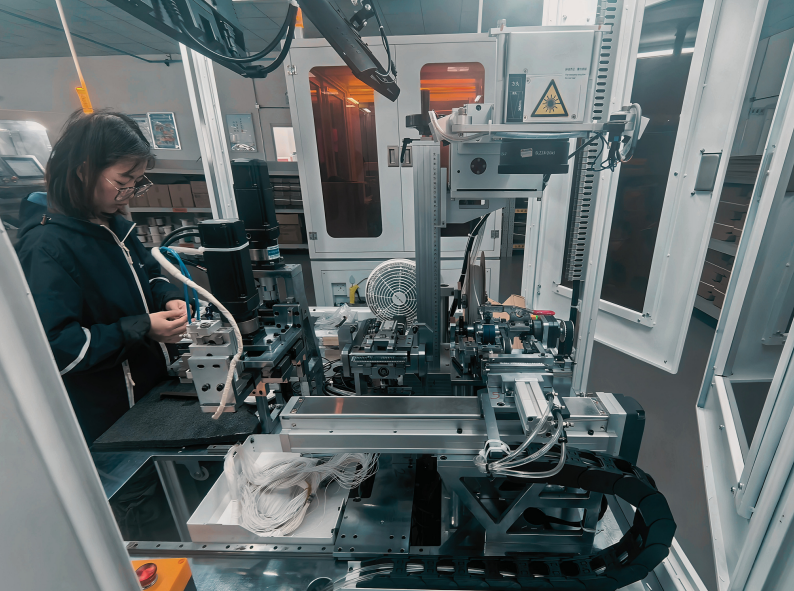
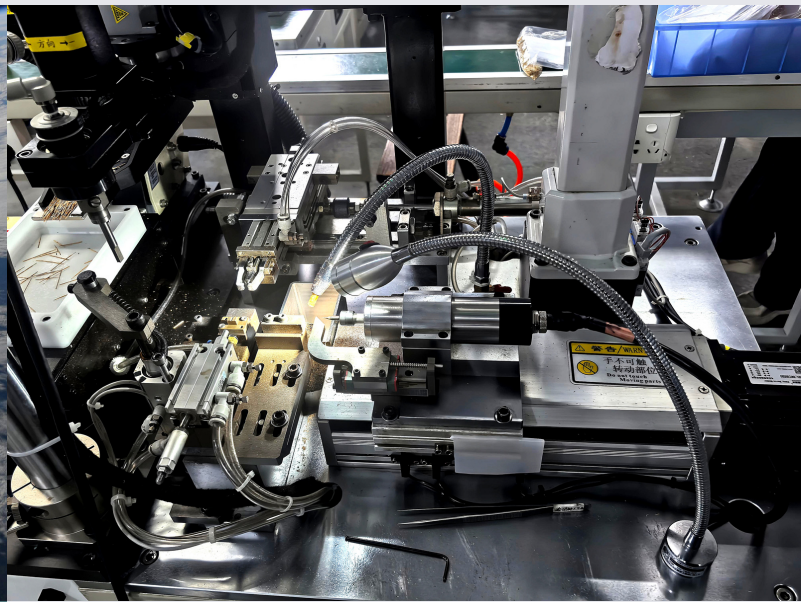


AROC INTL

PRODUCT CATALOGUE

AROCAROC
AROCAROC
AROCAROC
AROCAROC



WWW.AROCC



ABOUT US

We are one of the most prominent manufacturers of aerospace-grade connectors based in mainland China. Over 15 years, we have provided reliable products and services to more than 50 partners across multiple industries worldwide.

We believe that craftsmanship, progress, and a spirit of challenge are the fundamental driving forces of human development.

We take an extremely high sense of responsibility for our products. At AROC, our primary mission is to provide customers with the most reliable products available.

Throughout AROC's history, we have been committed to building our independent research and development capabilities. Today, our facilities allow us to continuously develop new products that meet the demands of the new era while aligning with customer requirements.



OUR FACILITY



OUR CAPABILITY

We design, manufacture, and test high-grade connectors used in military, aerospace, and commercial applications. Our deep understanding of and support for our customers' interconnect needs have earned us a reputation for excellence among the world's leading users.

OUR VALUES

- **Reliability:** We are committed to delivering work of exceptional quality. What we build has a lasting impact, and excellence in execution is non-negotiable.
- **Enthusiasm:** We view challenges as opportunities for meaningful achievement. We approach our work with genuine energy and optimism, and we actively inspire and uplift those around us.
- **Customer-Centricity:** Our customers are our top priority. We exist to understand their needs deeply and consistently deliver high-quality products and experiences on time, every time.
- **Accountability:** We believe in clear ownership, decisive action, and measurable results to hold ourselves accountable for our commitments.

MICRO D SERIES: MICRO-D MWDM

*Solder Cup Metal Shell
Connectors*

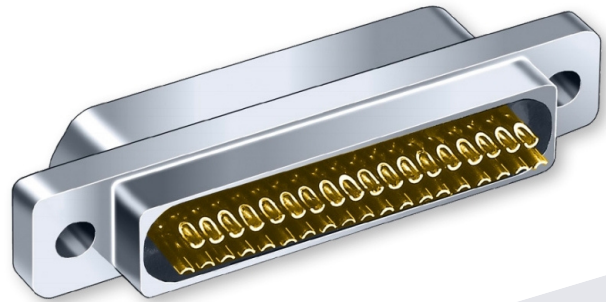
Micro-D Solder Cup Termination

These connectors feature gold-plated TwistPin contacts for the best performance. Use with #26 AWG or smaller wire. Specify nickel-plated shells or cadmium-plated shells for best availability.

Now Available with #24 AWG Contacts

AWG 24 wire offers increased mechanical strength and lower voltage drop. Micro-D solder cup connectors are now compatible with 24 AWG stranded or solid wire. Specify “N” for 24 AWG pin contacts, or “T Micro-D MWDM Solder Cup Metal Shell Connectors” for 24 AWG socket contacts.

- **Operating temperatures:**
 - Micro-D Standard:
-55°C to +150°C
 - High Temp Micro-D:
-55°C to +200°C
 - Ultral High Temp Micro-D:
-55°C to +260°C



MICRO-D MOD CODE 428

*for +200° C. Operating
Temperature*

Upgrade to **200°C** with
Modification Code 428
HighTemperature Epoxy.

The search for oil and gas has led to deeper reservoirs where extreme temperatures and pressure test the limits of electronics design. Oil well logging instruments must be able to withstand temperatures beyond the limits of standard connectors.

Micro-D connectors are made from temperature-resistant materials. The Liquid Crystal Polymer (LCP) glass-filled thermoplastic insulators easily withstand 400° F. The Fluorosilicone seals, TwistPin contacts and aluminum shells are also rated for continuous exposure to 400° F. The epoxy potting compound is the only component not rated for high temperature. Mod Code 428 upgrades the standard epoxy with a special 600° F. epoxy.



**MICRO D SERIES:
MICRO-D
GMR7580**

Vertical Mount
Printed Circuit Board Connectors

SAVE SPACE ON YOUR CIRCUIT BOARD

These Micro-D connectors feature .075 X .075 inch terminal spacing. MR7580 offers significant size and weight savings compared to traditional .100" pitch connectors.

HIGH PERFORMANCE

GMR7580 connectors meet the performance requirements of MIL-DTL-83513. Gold-plated TwistPin contacts ensure optimal performance.

- **Operating temperatures:**
 - Micro-D Standard: -55°C to +150°C
 - High Temp Micro-D: -55°C to +200°C
 - Ultral High Temp Micro-D: -55°C to +260°C



**MICRO D SERIES:
MICRO-D
GMR7590**

*Right Angle Mount
Printed Circuit Board Connectors*

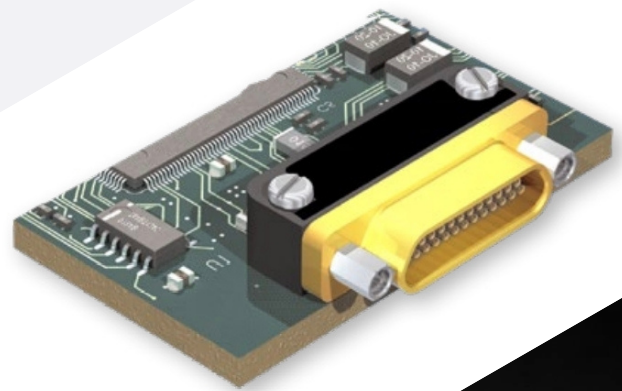
Save Space On Your Circuit Board

These Micro-D connectors feature .075 x .075-inch terminal spacing. The GMR7590 offers size and weight savings compared to traditional .100" pitch connectors.

High-performance

GMR7590 connectors meet the performance requirements of MIL-DTL-83513. Gold-plated TwistPin contacts ensure optimal electrical and mechanical performance.

- **Operating temperatures:**
 - Micro-D Standard: -55°C to +150°C
 - High Temp Micro-D: -55°C to +200°C
 - Ultras High Temp Micro-D: -55°C to +260°C





MICRO-D MWDM-CBR

Right Angle Thru-Hole
Printed Circuit Board Connectors

HIGH-PERFORMANCE

These connectors feature gold-plated TwistPin contacts for the best performance. PC tails are .020 inch diameter. Specify nickel-plated shells for best availability.

- **Operating temperatures:**

- Micro-D Standard:
-55°C to +150°C
- High Temp Micro-D:
-55°C to +200°C
- Ultrahigh Temp Micro-D:
-55°C to +260°C

SOLDER-DIPPED

Terminals are coated with Sn60/Pb40 tin-lead solder for best solderability. Optional gold-plated terminals are available for RoHS compliance.

REAR MOUNTABLE

Can be installed through panels up to .125 inch thick. Specify rear panel mount jackposts.



**MICRO D SERIES:
MICRO-D MWDM-
SMR**

*Surface Mount Right Angle
Printed Circuit Board Connectors*

Surface Mount Micro-D

These connectors feature .025-inch terminal spacing and an alignment strip for accurate registration. The integral mounting legs provide a ground path.

H9 To 51 Contacts

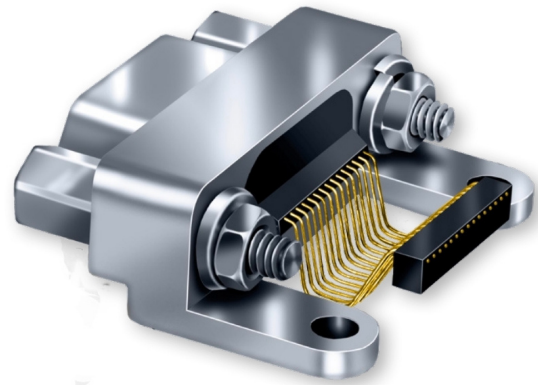
These compact connectors are lighter and smaller than comparable thru-hole versions.

Mil Spec Reliability

Suitable for mission-critical requirements, these high-performance connectors meet the requirements of MIL-DTL-83513.

Solder Method

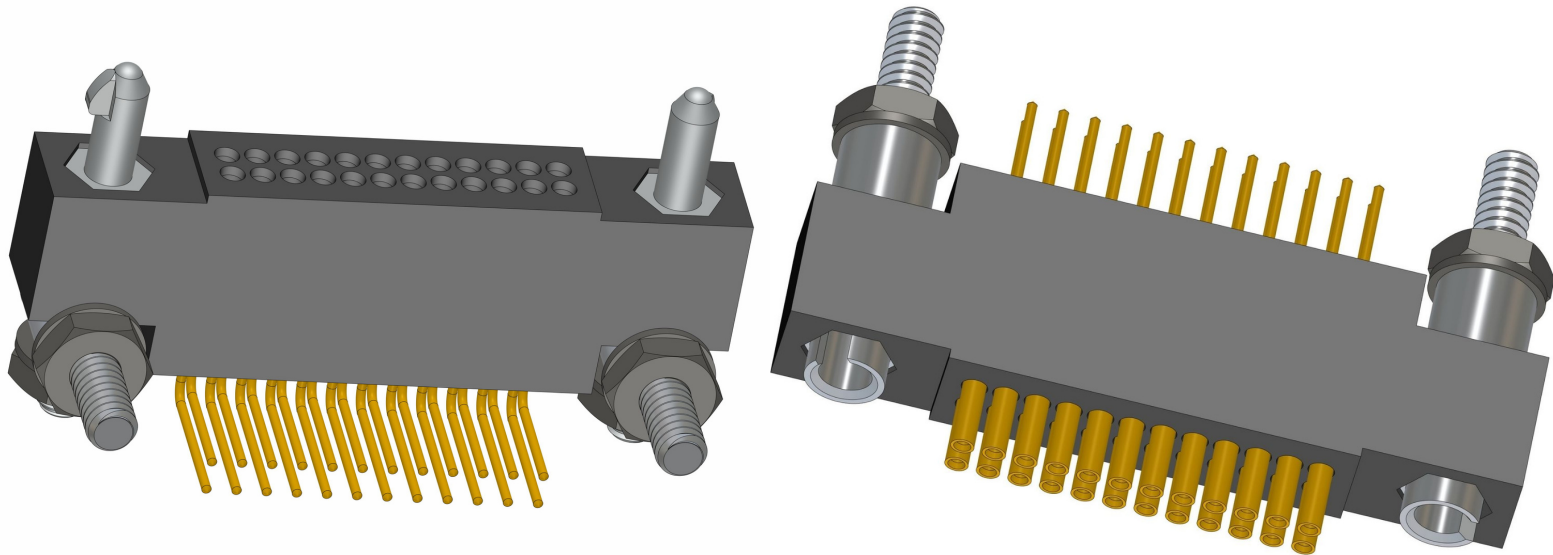
When soldering the MWDM-SMR connector to the circuit board, consult G - OEM for the recommended method.



• **Operating temperatures:**

- Micro-D Standard: -55°C to +150°C
- High Temp Micro-D: -55°C to +200°C
- Ultral High Temp Micro-D: -55°C to +260°C



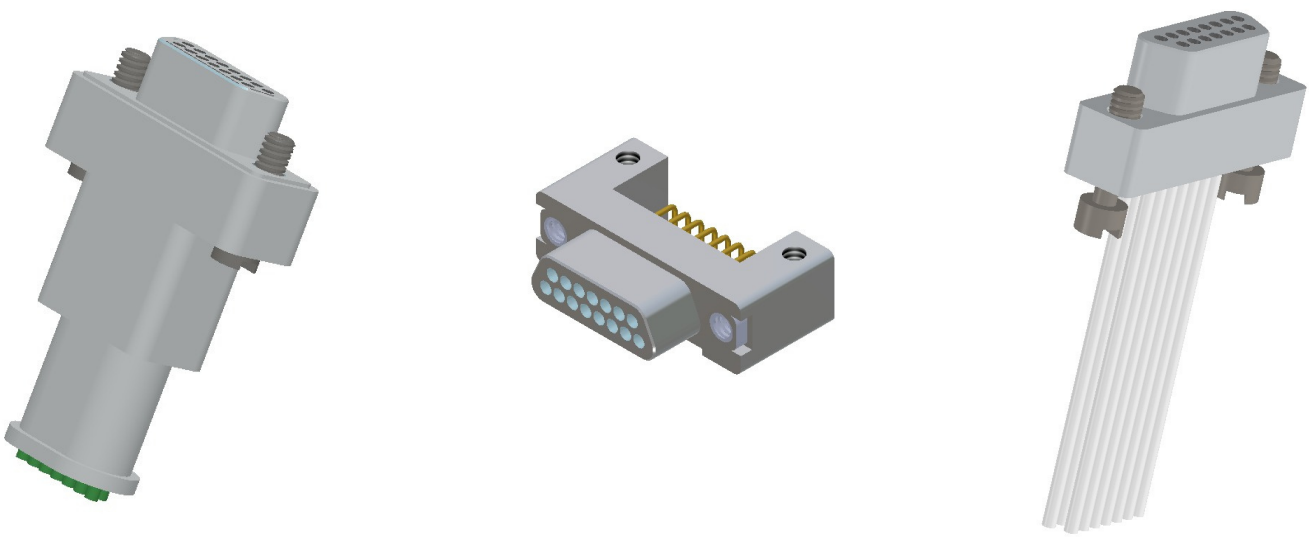


Micro Rectangular
Electrical Connectors

J11 SERIES

PRODUCT FEATURES

- Contact layout: 8、16、24、32、40、48、56、64.
- Product features: high density, miniaturization, high reliability, light weight.
- The product can be equipped with head-mounted needles, seat-mounted holes, or a combination of head-mounted holes and seat-mounted needles. The special structure of the attachment plays a role in preventing accidental insertion of the product during docking.
- Product Usage: Mainly used for circuit connections between printed boards in
 - electronic devices and computers;
- Execution standard: Q/DJ-025-2021 "Detailed Specification for J11 Series Micro
- Interconnect Solutions



J20(J) SERIES

Micro Rectangular Electrical Connectors

PRODUCT FEATURES

- Contact layout : 9、15、21、25、31、37、51、66、74、100
- Adopting a twisted pin structure with a pitch of 0.95mm and a stagger of 1.01mm
- This product occupies little space, with the head and seat using screw and nut screwjoints for docking. Gentle insertion and extraction, reliable locking.
- High product density, small size, lightweight, and high reliability.
- Conductor core cross-sectional area 0.07mm²
- The product is a head-mounted needle with a seat-mounted hole, a fixed combination; the one equipped with a locking screw is the free end, and the one equipped with a connecting nut is the fixed end; the free end and the fixed end are connected and locked by screws and nuts.
- Implementation Standard: **Q/DJ-002-2018** "Detailed Specification for J20J Series Micro Rectangular Electrical Connectors"

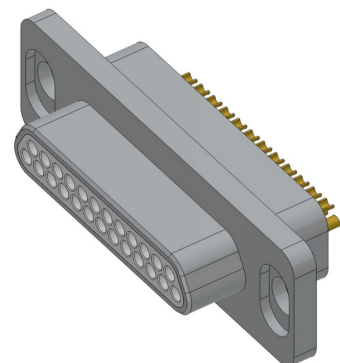
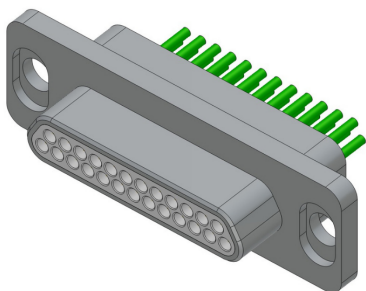


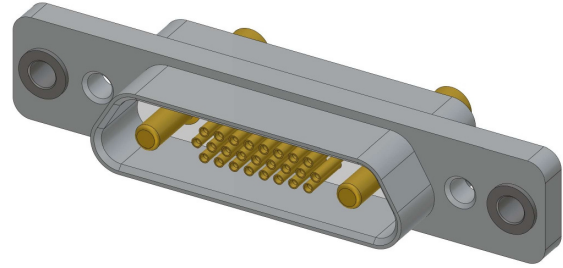
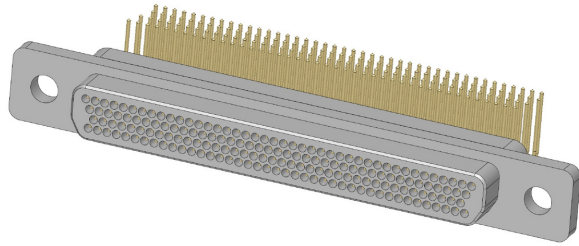
J29 SERIES

Micro Rectangular Electrical Connectors

PRODUCT FEATURES

- Contact layout : 9、 15、 21、 25、 31、 37、 51、 66.
- Twistpin with the grid spacing of 1.91mm x 1.65mm.
- The cross-sectional area of the wire core ranges from 0.15mm² to 0.3mm²
- Widely used for circuit connections in various electronic devices, such as aerospace, aviation, and electronic computers.
- Execution standards: **Q/DJ-004-2018J29A** series micro rectangular electrical connector detailed specification, **Q/DJ-010-2018J29M** series miniature rectangular electrical connector detailed specification.





J30(J) SERIES

Micro Rectangular
Electrical Connectors

PRODUCT FEATURES

- Benchmarking against American MDM series products.
- Contact layout : 5、 9、 15、 21、 25、 31、 37、 51、 66、 74、 100、 144.
- Twistpin, Contact spacing of 1.27mm and a row spacing of 1.1mm.
- Product features: high density, miniaturization, and high reliability.
- The wire is suitable for 0.1 mm² to 0.15 mm²
- Compliance with the standards of **GJB2446A-2011** and functional is equivalent to **MIL-DT-83513**.
- Execution standard: Q/DJ-001-2017 "Detailed Specification for J30J Series Micro Rectangular Electrical Connectors".



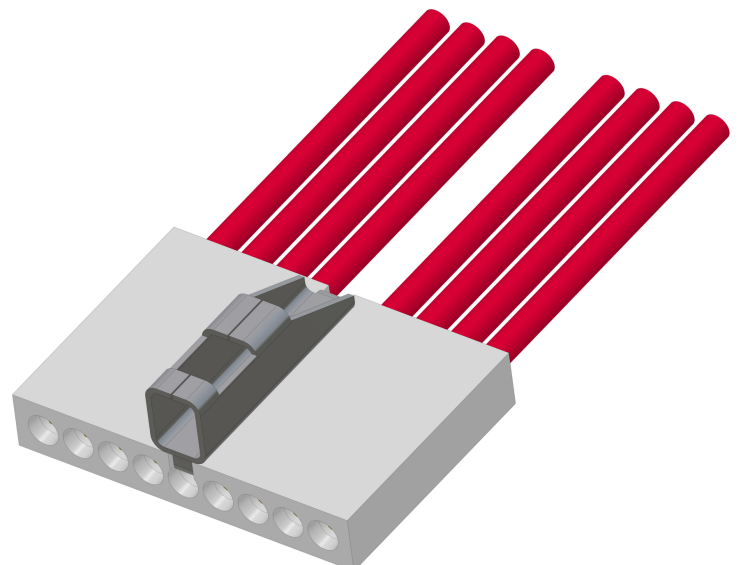
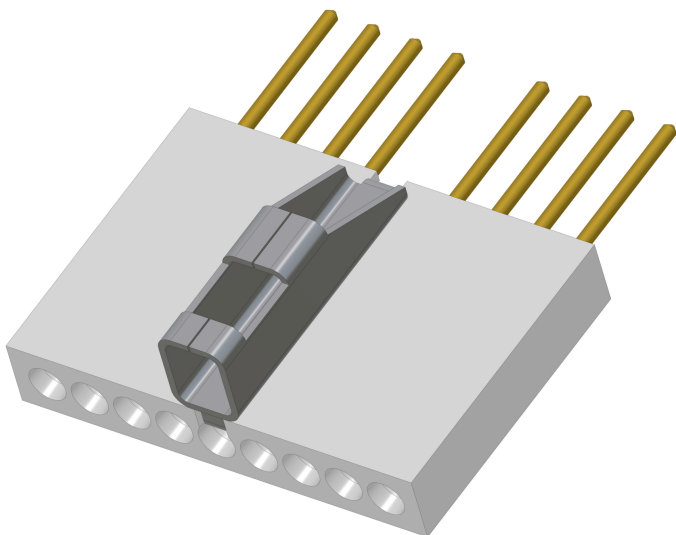
J102 SERIES BUCKLE-LOCKING

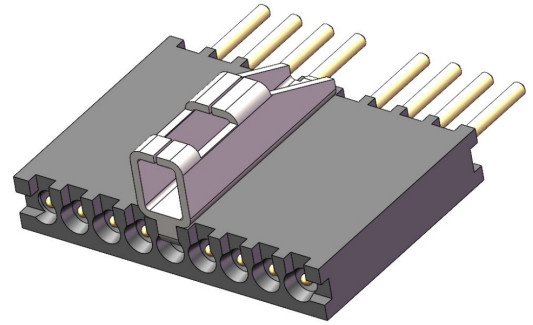
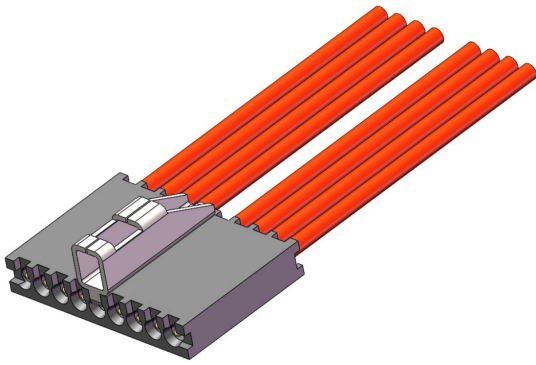
Micro Rectangular Electrical
Connector

PRODUCT FEATURES

- Twistpin style and Contact spacing is 0.95mm x 1.5mm.
- The product has small external dimensions, is flat, and lightweight.
- The base material is made of PPS, which has excellent environmental resistance.
- Crimping type suitable for a wire core cross-sectional area of 0.07 mm².
- The locking accessory of this product is a buckle locking type, suitable for internal systems with low temperature, low humidity, and dryness, for quick locking, testing, and other occasions.
- Execution standard: Q/DJ-048-2024, "Detailed Specification for J102 Series Snap Lock Rectangular Electrical Connectors."

WWW.AROCC.CC





J103 SERIES BUCKLE-LOCKING

Micro Rectangular Electrical
Connector

PRODUCT FEATURES

- Twistpin and minuscule in size.
- The base material is made of PPS, which has excellent environmental resistance.
- The cross-sectional area of the wire core is 0.1 mm² to 0.15 mm².
- The locking component of this series of products is a buckle locking type, which
- can prevent accidental insertion by installing locking accessories in different hole
- positions.
- Execution standard: **Q/DJ-007-2018**, Detailed specification for J103 buckle locking rectangular electrical connector.

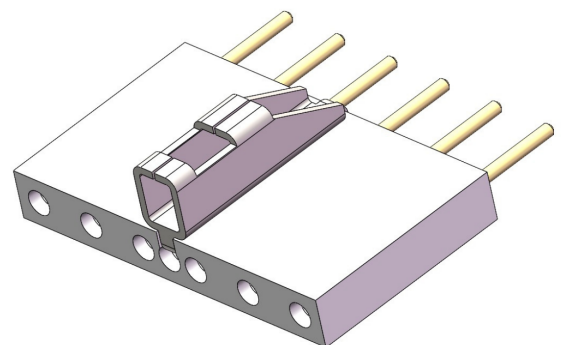
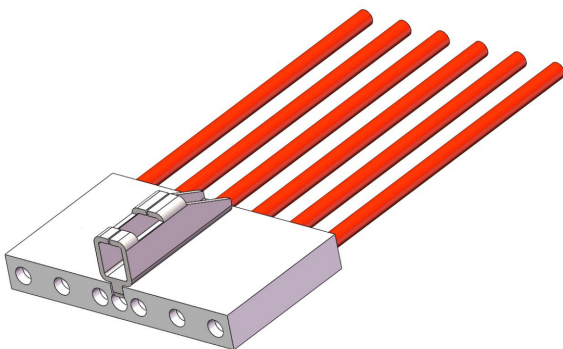
J104 SERIES BUCKLE-LOCKING

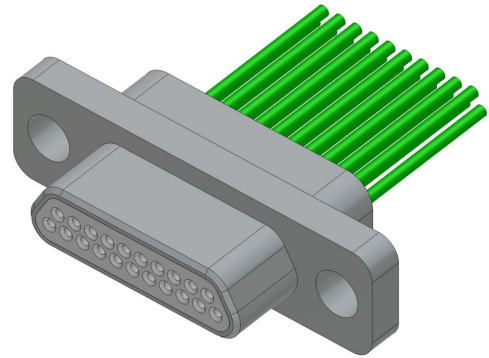
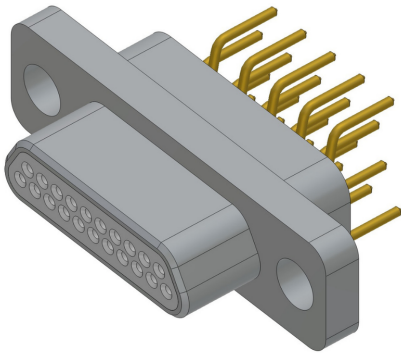
Micro Rectangular Electrical
Connector

PRODUCT FEATURES

- Twistpin with 2.54 mm spacing.
- The base material is made of PPS, which has excellent environmental resistance.
- The cross-sectional area of the wire core is 0.1 mm² to 0.15mm².
- The locking component of this series of products is a buckle locking type, which can achieve the function of preventing accidental insertion by installing locking accessory holes asymmetrically at both ends of the base.
- Execution standard: **Q/DJ-007-2018** "Detailed specification for J104 buckle locking rectangular electrical connector".

WWW.AROC.CC





J110A SERIES

Micro Rectangular Electrical Connector

PRODUCT FEATURES

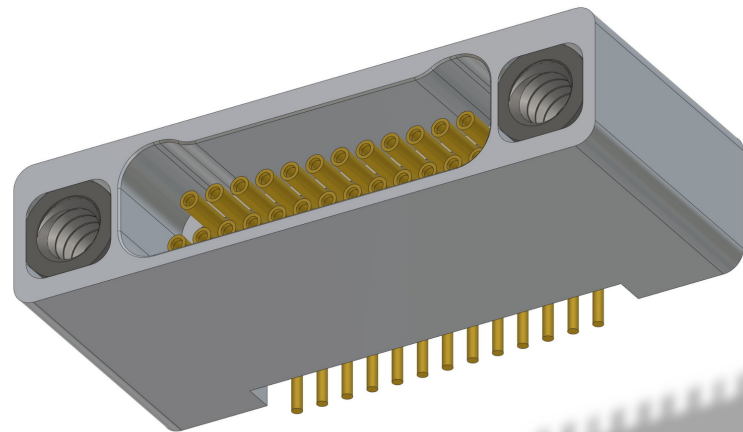
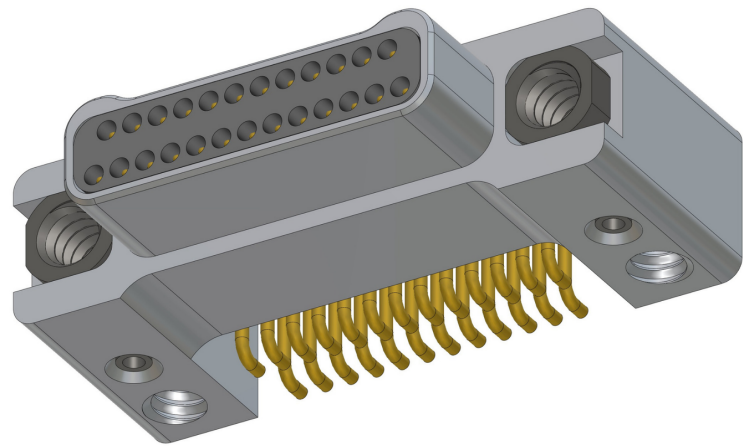
- The product performance meets the requirements of GJB2446 (equivalent to MIL-C-83513)
- Contact layout: 9, 15, 21, 25, 31, 37, 51, 66, 74, and 100.
- Adopting a two-piece slotted flexible socket and rigid pin, with gentle insertion and removal;
- The product has high density, small volume, light weight, and high reliability.
- The product is equipped with a head-mounted hole and a seat-mounted needle for fixed matching. The free end is equipped with a locking screw, and the fixed end is equipped with a connecting nut. The free end and fixed end are connected and locked by screws and nuts.
- Execution standard: **Q/DJ-046-2024** "Enterprise Standard for J110A Series Micro Rectangular Electrical Connectors".

J63(A) SERIES

NANO-D Rectangular Electrical Connectors

PRODUCT FEATURES

- Contact layout: 9, 15, 21, 25, 31, 37, 51, 65, and 69.
- 1 & 2 row options.
- Twistpin style and contact spacing are 0.635mm.
- The wire of the crimping product is 0.035 mm².
- Small space occupation, the head and seat are connected by screws and nuts, with soft insertion and reliable locking.
- The product has high density, small volume, light weight, and high reliability.
- The product is equipped with a head-mounted pin and a seat-mounted socket for fixed matching. The free end is equipped with a locking screw, and the fixed end is equipped with a connecting nut. The free end and fixed end are connected and locked by screws and nuts.
- Standards: Compliance with **MIL-DTL-32139A** and specifications.

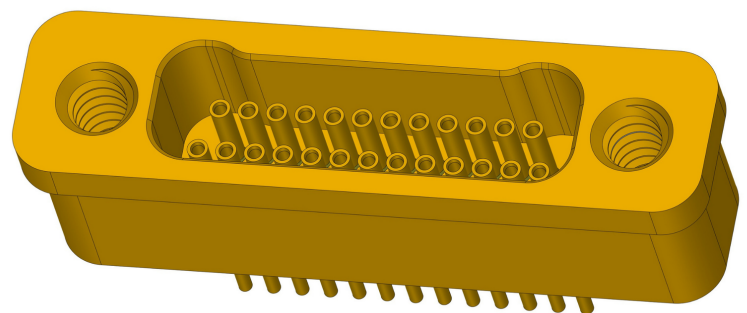
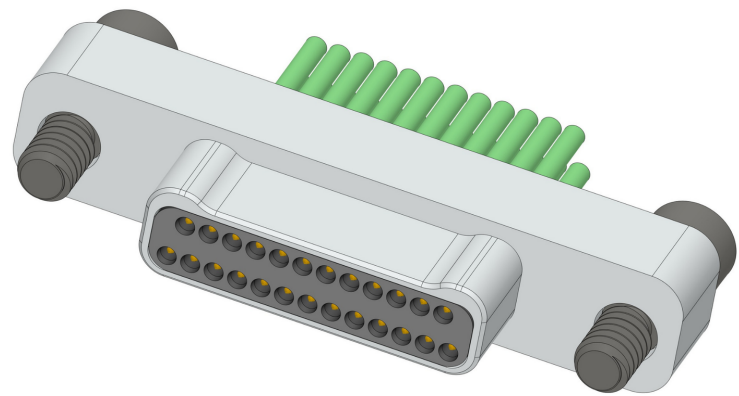
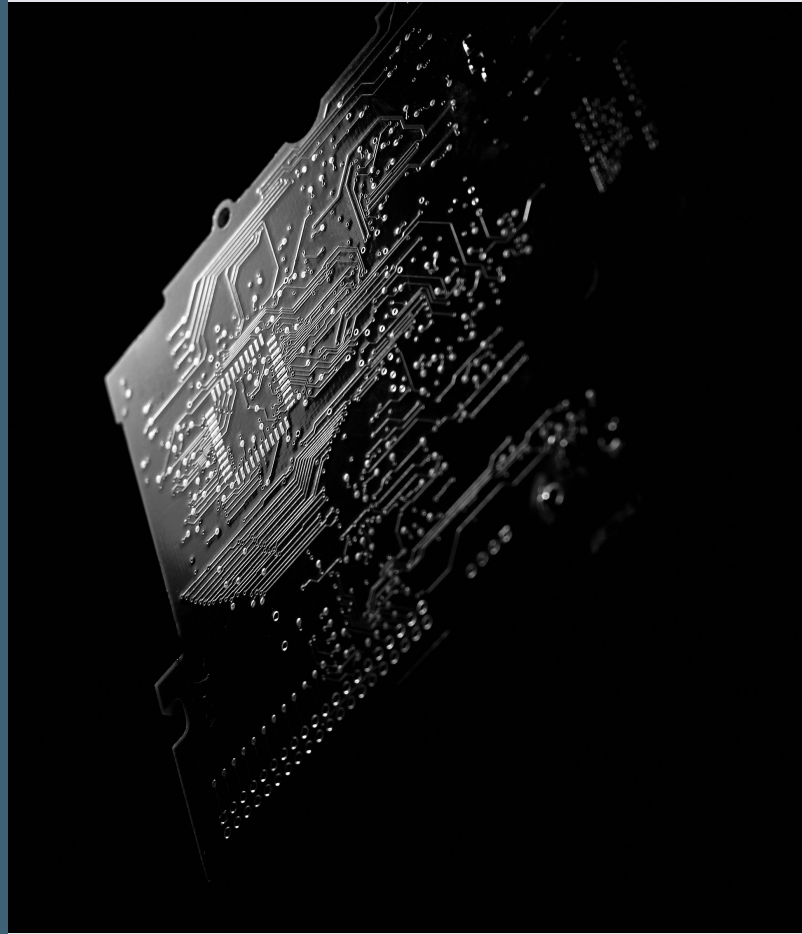


J63A GLASS SINTERED HERMETIC SEAL SERIES

NANO-D Rectangular Electrical Connector

PRODUCT FEATURES

- The product socket is an airtight socket, made of glass as the dielectric material, with a contact spacing of 0.635mm, and the socket is gold-plated as a whole.
- Contact layout 9、15、21、25、31、37、51、65、69.
- The product has a small volume and good resistance to vibration and impact.
- The tail end of the connector contact adopts gold wire bonding.
- Standards: Q/DJ-002-2017



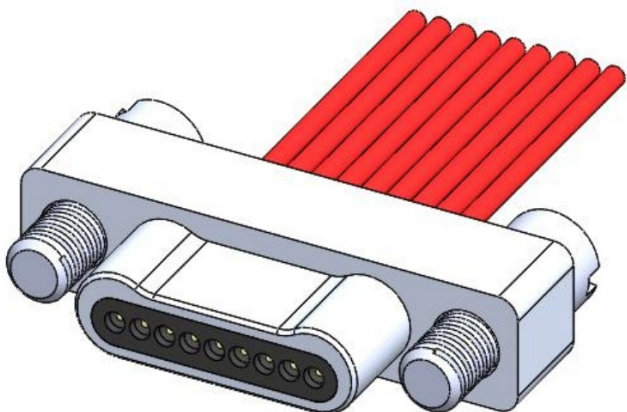
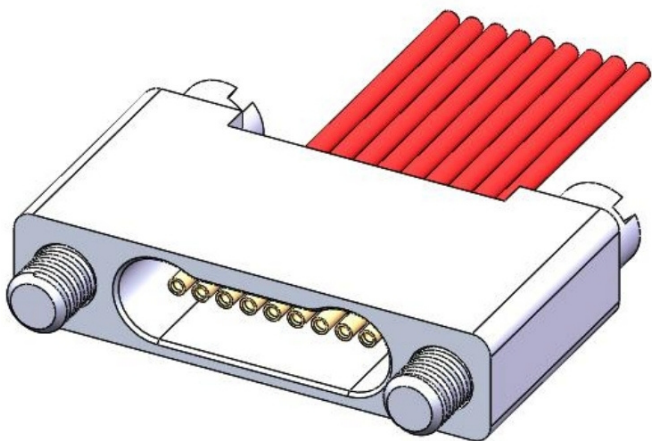


J70(A) SERIES

NANO-D Rectangular Electrical Connectors

PRODUCT FEATURES

- Contact layout: 9, 15, 21, 25, 31, 37, 51, 65, and 69.
- Twistpin style and contact spacing are 0.635mm.
- The wire of the crimping product is 0.035 mm².
- Small space occupation, the head and seat are connected by screws and nuts, with soft insertion and reliable locking.
- The product has high density, small volume, light weight, and high reliability.
- The product is equipped with a head-mounted pin and a seat-mounted socket for fixed matching; the free end is equipped with a locking screw, and the fixed end is equipped with a connecting nut; the free end and fixed end are connected and locked by screws and nuts.
- Standards: Compliance with **MIL-DTL-32139 & GJB7245-2011** specification.



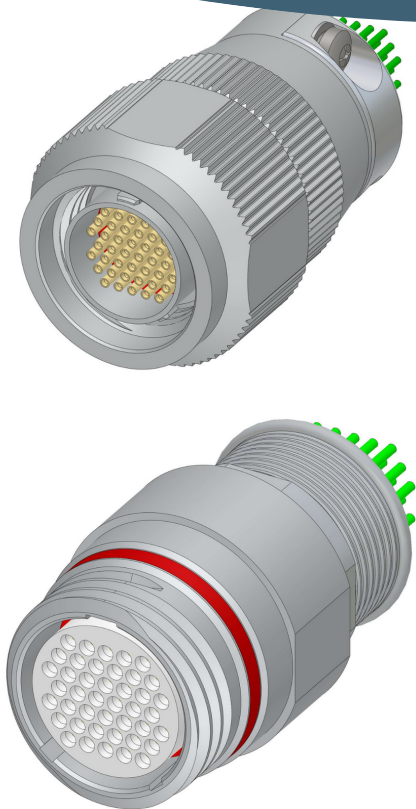
Y81 SERIES

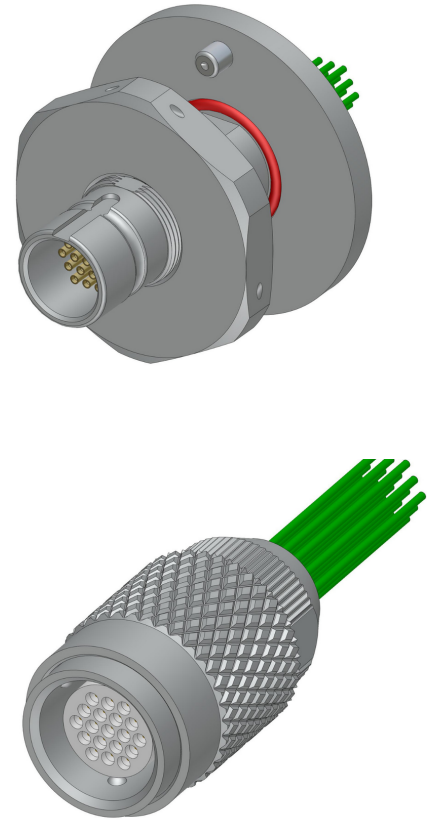
Micro Circular Electrical Connector

PRODUCT FEATURES

- Contact layout: 7,12, 22, 30, 42
- Twistpin with a grid spacing of 1.27 mm x 1.1 mm
- High product density, small size, light weight, high reliability;
- The wire core has a cross-sectional area of 0.1 mm²~0.15mm²;
- The product is a combination of a plug installation hole and a socket installation needle. Generally, the plug is the free end, and the socket is the fixed end. The free end and the fixed end are connected and locked by the locking sleeve on the plug and the socket shell.
- Standard: **GJB 2446A-2011**, comply with **MIL-DTL-83513**
 - **GJB 599B-2012**, comply with **MIL-DTL-38999**.

WWW.AROC.CC





Y34Q SERIES QUICK LOCK WITH TWISTPIN

Micro Circular Electrical Connector

WWW.AROC.CC

PRODUCT FEATURES

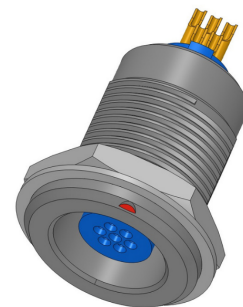
- Contact layout: 07, 10, 19, 21, 37, 55, 66, and 85.
- Twistpin with grid spacing of 1.27 mm x 1.1 mm.
- The plug and socket are aligned and positioned by rivet key slots, and locked and unlocked by the cooperation and separation of steel balls and the annular groove on the socket housing.
- The product has high density, small volume, light weight, and high reliability.
- The cross-sectional area of the wire core is 0.1 to 0.15 mm².
- Execution standard: **Q/DJ-031-2022** "Detailed Specification for Y34Q Series Push Pull Quick Lock Circular Electrical Connectors".

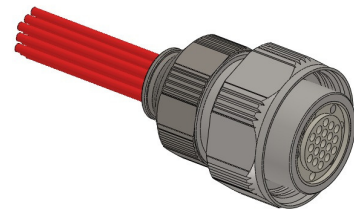
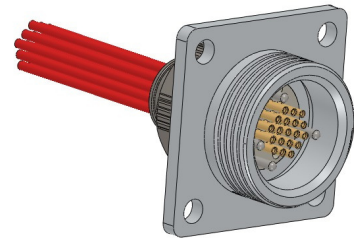
PRODUCT FEATURES

- Contact layout: 3, 7, 10, 15, and 19.
- Twistpin with grid spacing of 1.27mm x 1.1mm.
- The head and seat adopt a fast push-pull self-locking system, with soft insertion and reliable locking.
- The product has high density, small volume, light weight, and high reliability.
- Comprehensive shielding effect, anti-electromagnetic interference.
- Welding wire core cross-sectional area of 0.1 mm² to 0.15 mm².
- Execution standard: **Q/DJ-034-2022** "Detailed Specification for Y95 Series Micro Circular Electrical Connectors".

Y95 SERIES
Micro Circular Electrical Connector

WWW.AROC.CC





Y19 SERIES

Micro Circular Electrical Connector

WWW.AROC.CC

PRODUCT FEATURES

- Contact layout: 4, 7, 11, 19, 37, 55, and 85.
- Twistpin with grid spacing of 1.91 mm x 1.65 mm.
- Small space occupation, the head and seat adopt a threaded blind insertion and rotation docking, with soft insertion and reliable locking.
- The product plug and socket can be arranged with guide holes and guide columns freely, achieving the function of preventing accidental insertion of the same model.
- The cross-sectional area of the wire core is 0.15 mm² to 0.3 mm².
- Execution standard: **Q/DJ-014-2019** "Detailed Specification for Y19 Series Circular Electrical Connectors"

PRODUCT OVERVIEW

The GJB599 Series I, II, and III hermetically sealed electrical connectors are designed and developed in accordance with GJB599B (MIL-DTL-38999L) and the corresponding detailed specifications of U.S. military standards. They are mainly classified into two categories: "sealed electrical connectors" and "feedthrough hermetically sealed electrical connectors". By sintering the contacts into the receptacle housing or adapter receptacle housing, the electrical connectors achieve excellent hermetic performance. The mating plugs can still adopt standard non-hermetic plugs.

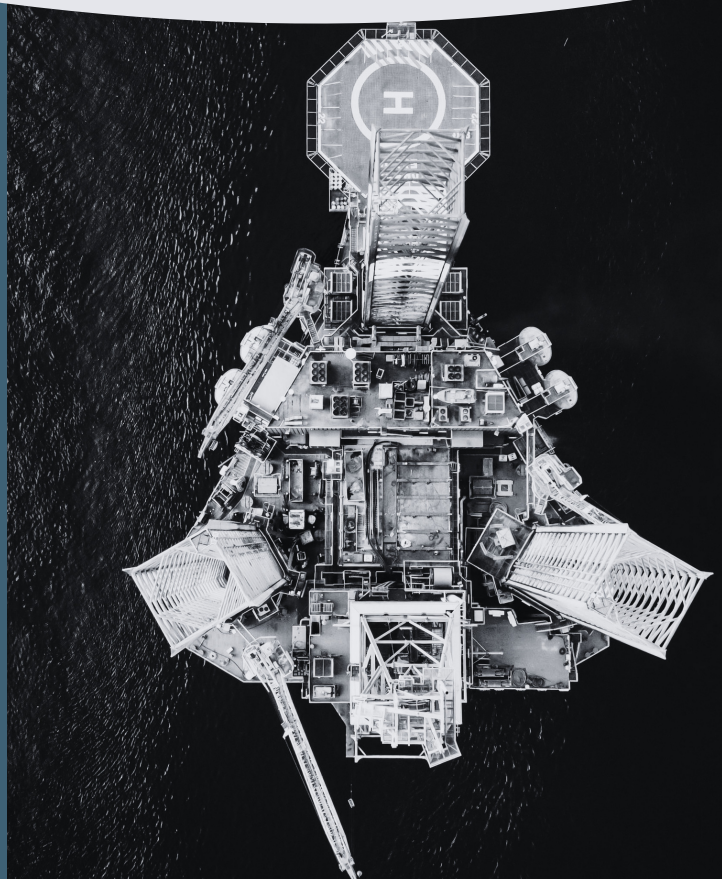
GJB599 SERIES

Hermetically Sealed Electrical Connectors

WWW.AROC.CC

Application: The product is used for circuit signal connection.

Operating Environment: The product is suitable for complex environments such as high vibration, rain exposure, Wind and sand, and humidity.



GJB599 I SERIES

(MIL-DTL-38999 I Series) Electrical Connector

Application: The product is used for circuit signal connection.

Operating environment: The product is used in complex environments such as strong vibration, wind and sand and humidity.



PRODUCT FEATURE

- Compliant with *GJB599B (MIL-DTL-38999M)* I series standards.
- The bayonet-style quick connection has the advantages of small size, light weight, and high contact density.
- EMI/RFI shielding.
- Scoop-proof: using the five-key position, capable of blind insertion and error prevention.
- The socket comes in various forms, such as box type, wall type, front-mounted, rear-mounted, and nut-fastened installation. The contact piece can be crimped and removed, and the anti-tilt plug design is available.
- 9 shell numbers, multiple hole contact arrangements.
- Has resistance to high-intensity vibration characteristics.
- The outer shell can be made of different materials and coatings to meet different environmental requirements.
- The mating surface and tail have a sealed structure with excellent three-proof performance.
- Tail accessories that comply with *GJB1784* standards.

GJB599 II SERIES

(MIL-DTL-38999 II Series) Electrical Connectors

PRODUCT FEATURE

- Compliant with *GJB599B (MIL-DTL-38999M)* I series standards.
- The bayonet-style quick connection has the advantages of small size, light weight, and high contact density.
- EMI/RFI shielding.
- Scoop-proof: using the five-key position, capable of blind insertion and error prevention.
- The socket comes in various forms, such as box type, wall type, front-mounted, rear-mounted, and nut-fastened installation. The contact piece can be crimped and removed, and the anti-tilt plug design is available.
- 9 shell numbers, multiple hole contact arrangements.
- Has resistance to high-intensity vibration characteristics.
- The outer shell can be made of different materials and coatings to meet different environmental requirements.
- The mating surface and tail have a sealed structure with excellent three-proof performance.

Application: The product is used for circuit signal connection

Operating Environment: Operating Environment: This electrical connector is lightweight, suitable for applications where it is not subject to high-intensity vibration or exposed to severe sand, dust and humidity.





Application: The product is used for circuit signal connection

Operating environment: The product is used in complex environments such as strong vibration, Rain exposure, wind and sand, and humidity

GJB599 III SERIES
(MIL-DTL-38999 III Series) Electrical Connector

PRODUCT FEATURE

- Compliant with *GJB599B (MIL-DTL-38999M) Series III* Standards
- Triple-start thread quick-connect design with an anti-loosening mechanism
- Compact size, light weight, and high contact density
- EMI/RFI shielding
- Crimp-type, removable contacts with pin anti-misalignment protection
- High-vibration resistance at elevated temperatures, suitable for use in harsh sand, dust, and humid environments
- Housing cavities for 12#, 16#, and 20# contact sizes are compatible with fiber optic contacts
- Housing cavities for 12#, 10#, and 8# contact sizes are compatible with coaxial and shielded contacts
- Available with stainless steel, titanium alloy, and aluminum alloy housings, as well as multiple plating options
- Features high-vibration resistance at elevated temperatures and is suitable for use in harsh sand, dust, and humid environments

PRODUCT FEATURES

- Compliant with GJB599B (MIL-DTL-38999) Series III Interface.
- The outer housing is available in various materials and platings to meet diverse environmental requirements.
- Five-key positioning design offers blind mating and error-proof mating capabilities.
- The three-start thread enables quick connection with an integrated anti-loosening mechanism.
- Precision mating is achieved via ceramic pins and ferrules.
- A variety of rear accessory configurations are available.
- Can transmit optical and electrical signals simultaneously.
- Features electromagnetic shielding capability.

J599 III SERIES

Electro-Optical Hybrid Connectors

WWW.AROC.CC

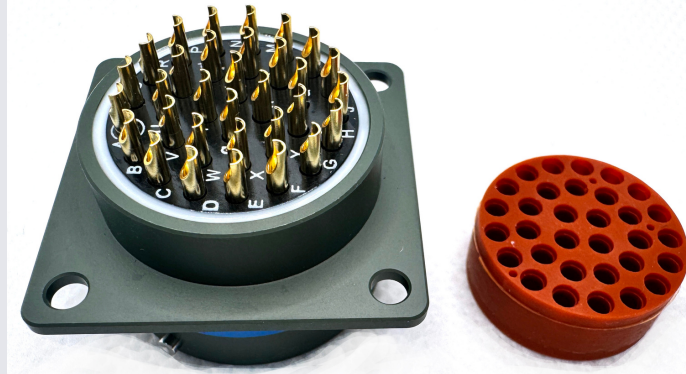


PRODUCT FEATURE

- Complies with GJB598 (MIL-C-26482) Series I Standard
- Bayonet-Type Quick-Connect
- Mostly Soldering Termination for Contacts
- Compact Size, High Density, and Excellent Environmental Resistance
- Widely Used in Various Military and Civilian Equipment

GJB598 I SERIES

(MIL-C-26482 I Series) Electrical Connector



Application: The product is used for circuit signal connection.

Operating environment: The product is suitable for various military and civilian operational environments, with resistance to moisture, salt spray, mould, rain, sand, dust, and other environmental factors.



GJB598 II SERIES

(MIL-C-26482 II Series) Electrical Connector

PRODUCT OVERVIEW

- Complies with GJB598 (MIL-C-26482) Series II Standard
- Bayonet-Type Quick-Connect
- Removable Gold-Plated Crimp Contacts
- High Contact Pair Density
- RFI (Radio Frequency Interference) Shielded Plug
- Mating Interface Sealing
- Widely Used in Various Military and Civilian Equipment

Application: The product is used for circuit signal connection

Operating environment: The product is suitable for various military and civilian operational environments, with resistance to moisture, salt spray, mould, rain, sand, dust, and other environmental factors.

SUPPLY CHAIN ASSURANCE

- **GLOBAL URGENT DELIVERY**
 - We specialize in express urgent delivery, prioritizing the fastest possible transportation speeds to ensure time-sensitive shipments reach their destinations without delay.
- **EXTENSIVE INVENTORY AVAILABILITY**
 - We maintain a robust standing inventory of more than 3,000 models, enabling us to meet a wide range of customer requirements promptly and reliably.
- **RAPID AND COMPREHENSIVE RESPONSE**
 - We provide swift, high-quality support across all customer touchpoints—including delivery coordination, product design consultation, quality assurance, and after-sales service—to deliver exceptional responsiveness and resolution at every stage.

CUSTOM DEVELOPMENT CAPABILITY

Fast Sample Turnaround:

- From design drawing approval to physical sample delivery, we achieve a shortest lead time of just 14 days, enabling customers to transform concepts into tangible prototypes rapidly.

Flexible Customization:

- We offer full support for non-standard and highly specialized designs, providing tailored development solutions that precisely match each customer’s unique technical requirements and application scenarios.

Rapid Iteration Capability:

- Our streamlined process supports fast design iterations, allowing quick optimization, refinement, and adjustments in response to evolving market needs and customer feedback.



*Address: Unit 505, **King's Commercial Building**,
2-4 Chatham Court, **Tsim Sha Tsui, Hong Kong.***